

# Accessories / Zubehör



2020

**Fig. Z01.01 Protectors / Protektoren**

**1**



**2**



**3**



**5**



**4**



**6**



**7**



**8**





# Fig. Z01.02 Protectors



1



2



3



4

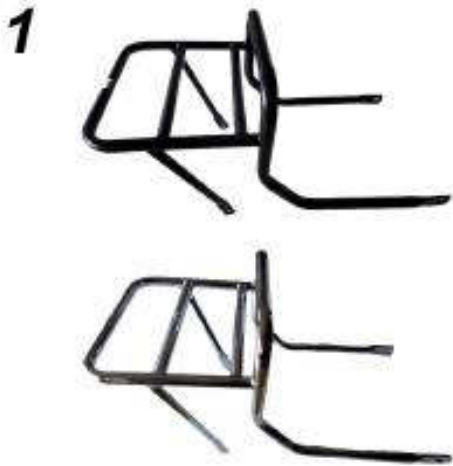


4





**Fig. Z02.01 Luggage racks / Gepäckträger**





# Fig. Z02.02 Luggage racks



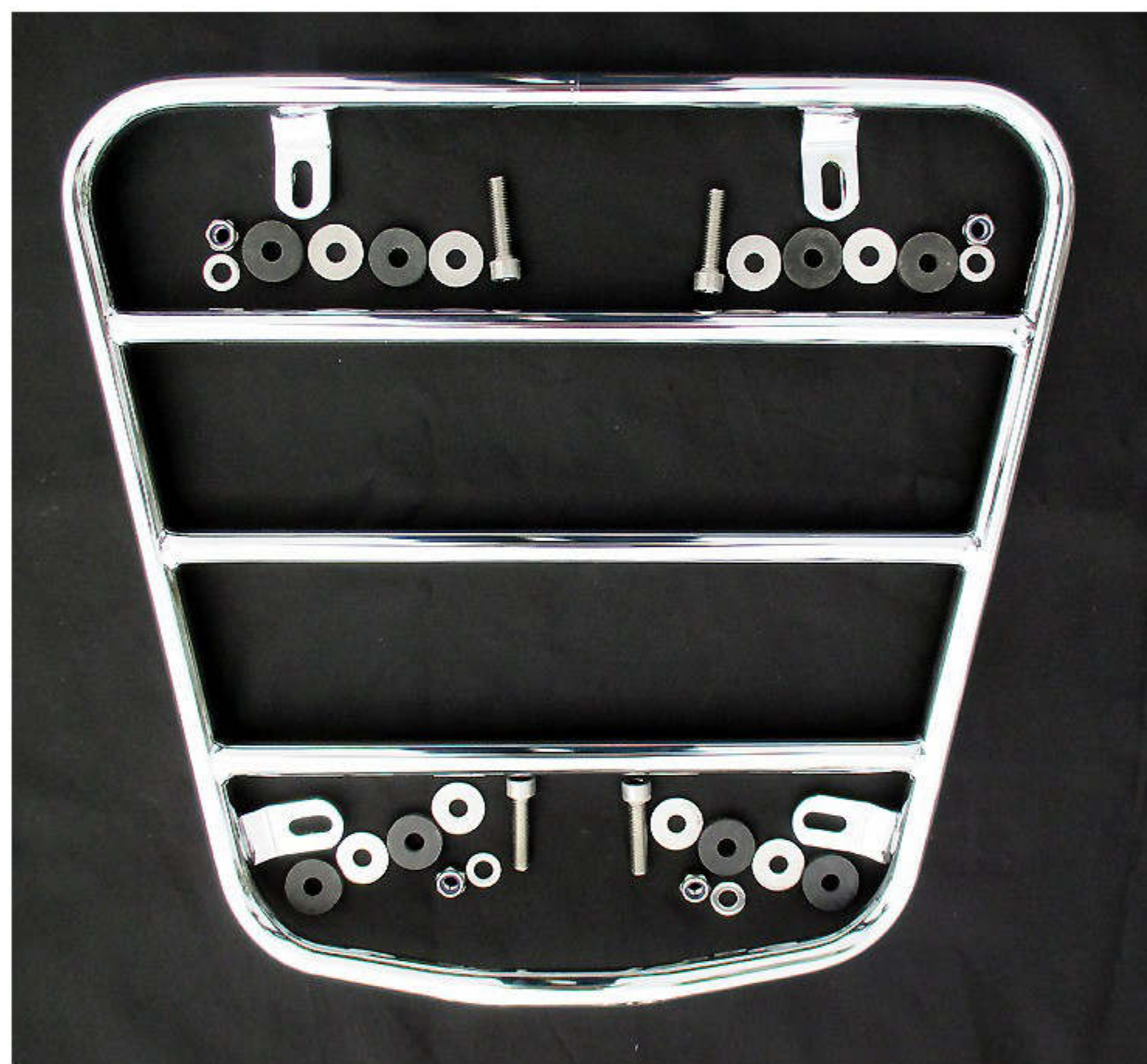
1



2



3



4





# Fig. Z02.03 Luggage racks



1



2



3



4

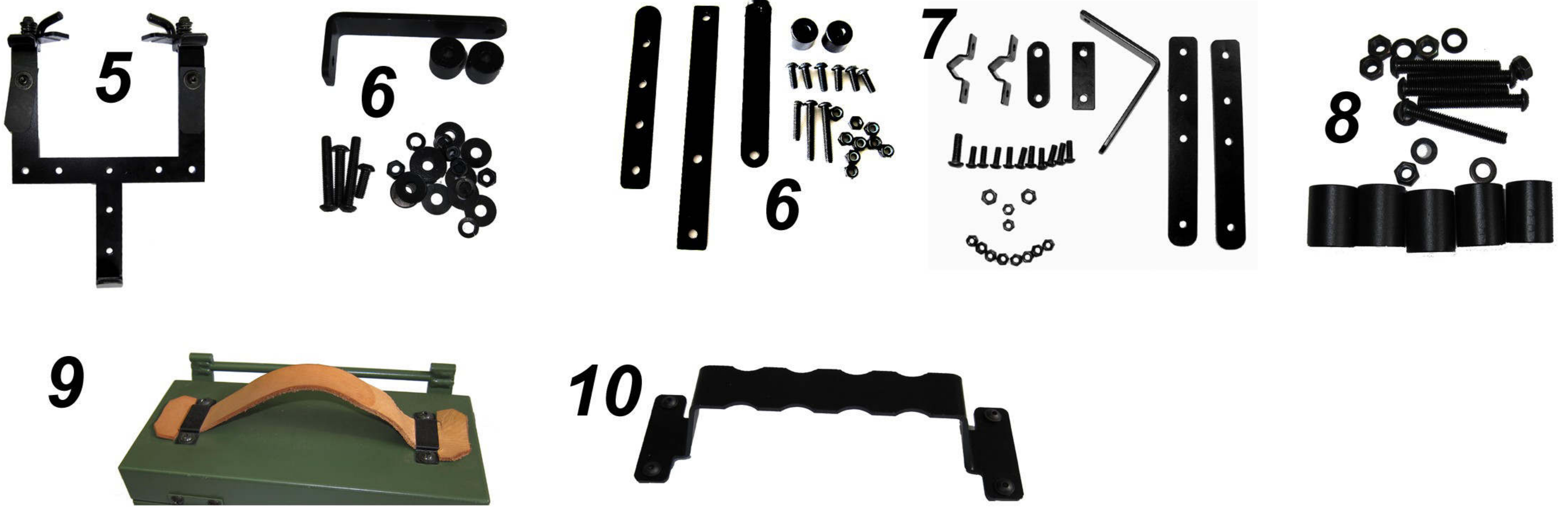




# Fig. Z03.01 Luggage systems



## System Baraholka (parts)



**Boxes are delivered without logo, please choose one of these: suitable for Baraholka and first aid boxes (attached with screws)**





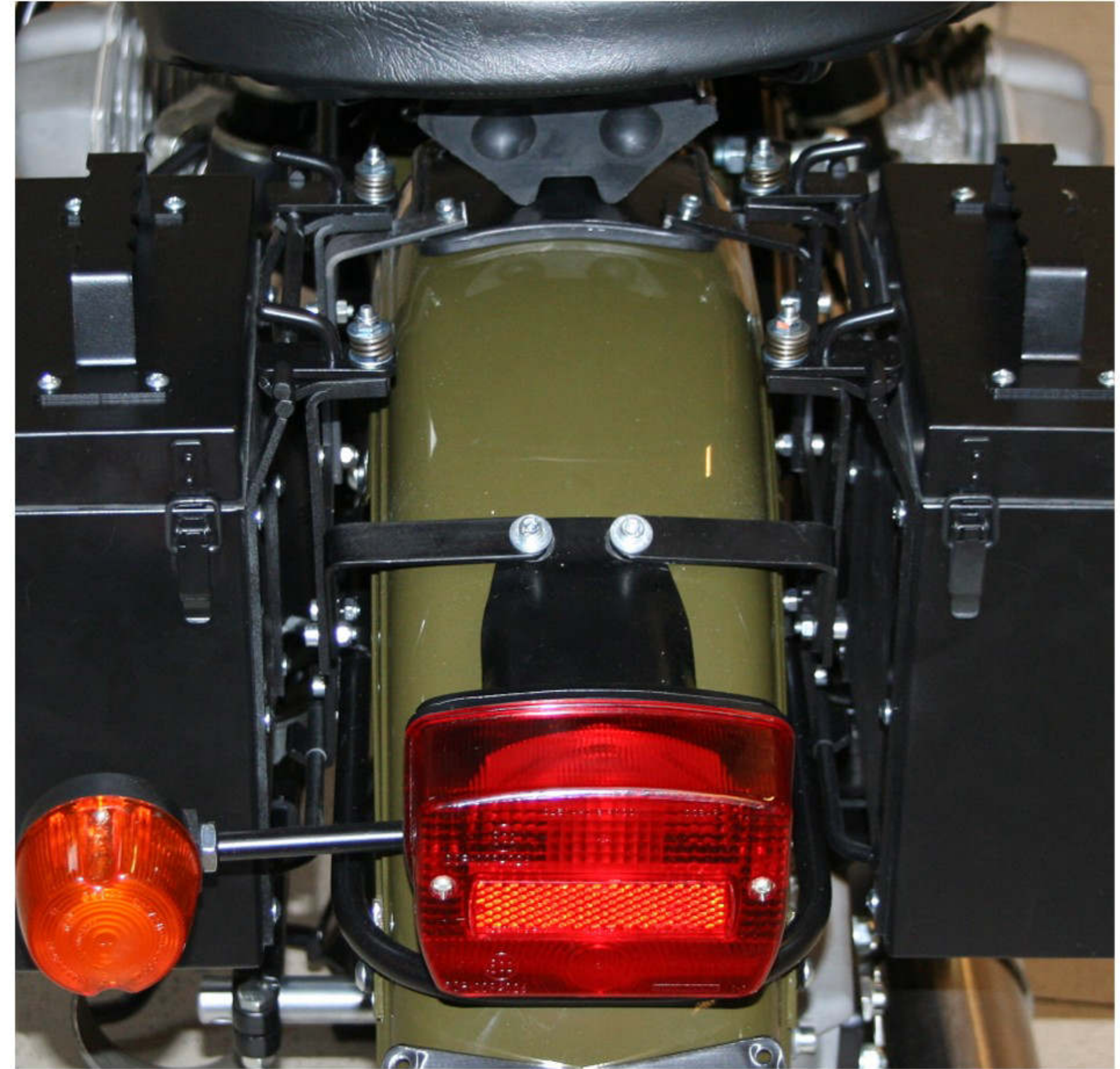
# **Fig. Z03.02 Luggage systems**



## **System Baraholka (mounting)**



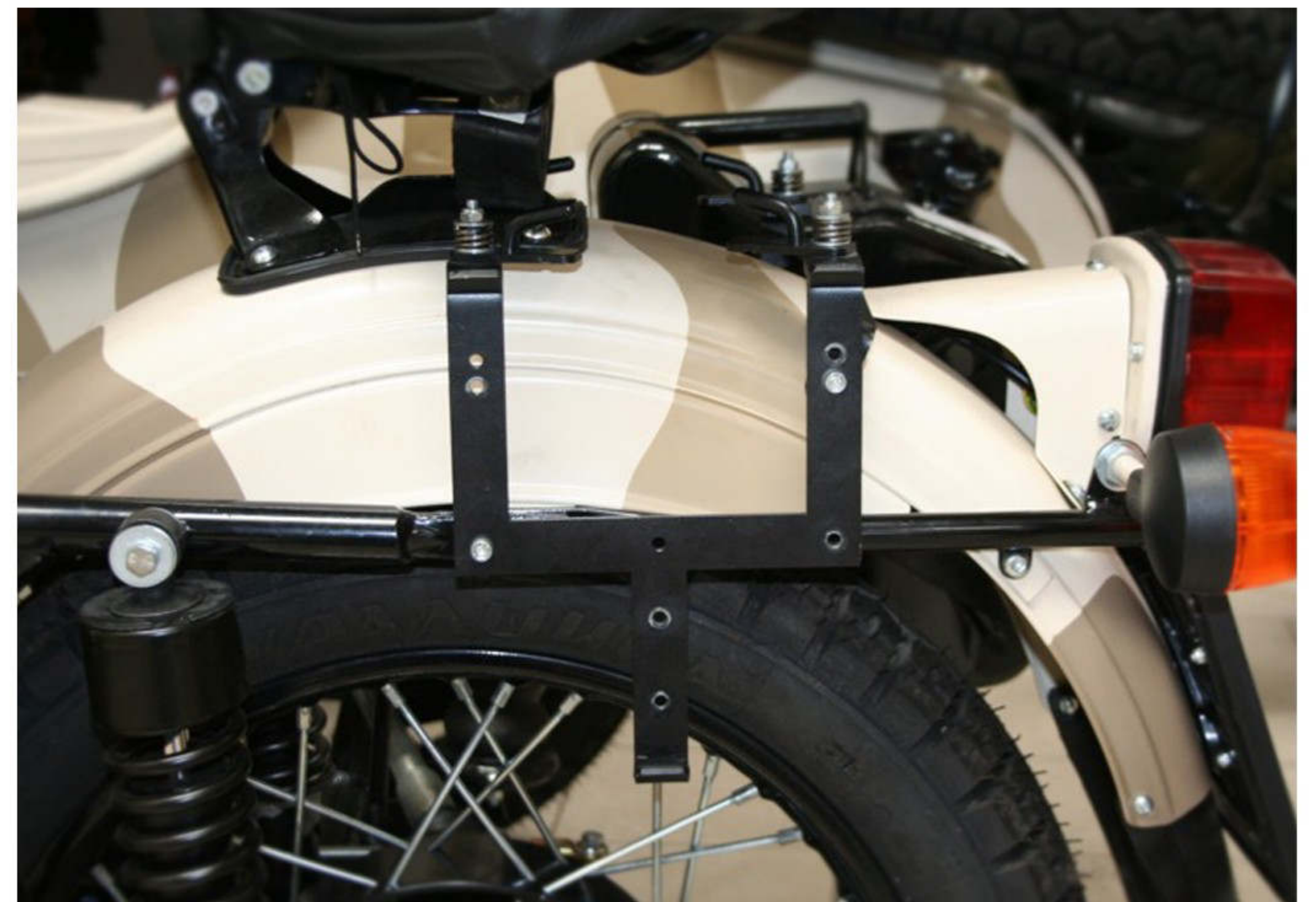
**Retro with luggage rack =  
IDE40 + IDE48 + IDE49**



**Retro without rack =  
IDE40 + IDE48**

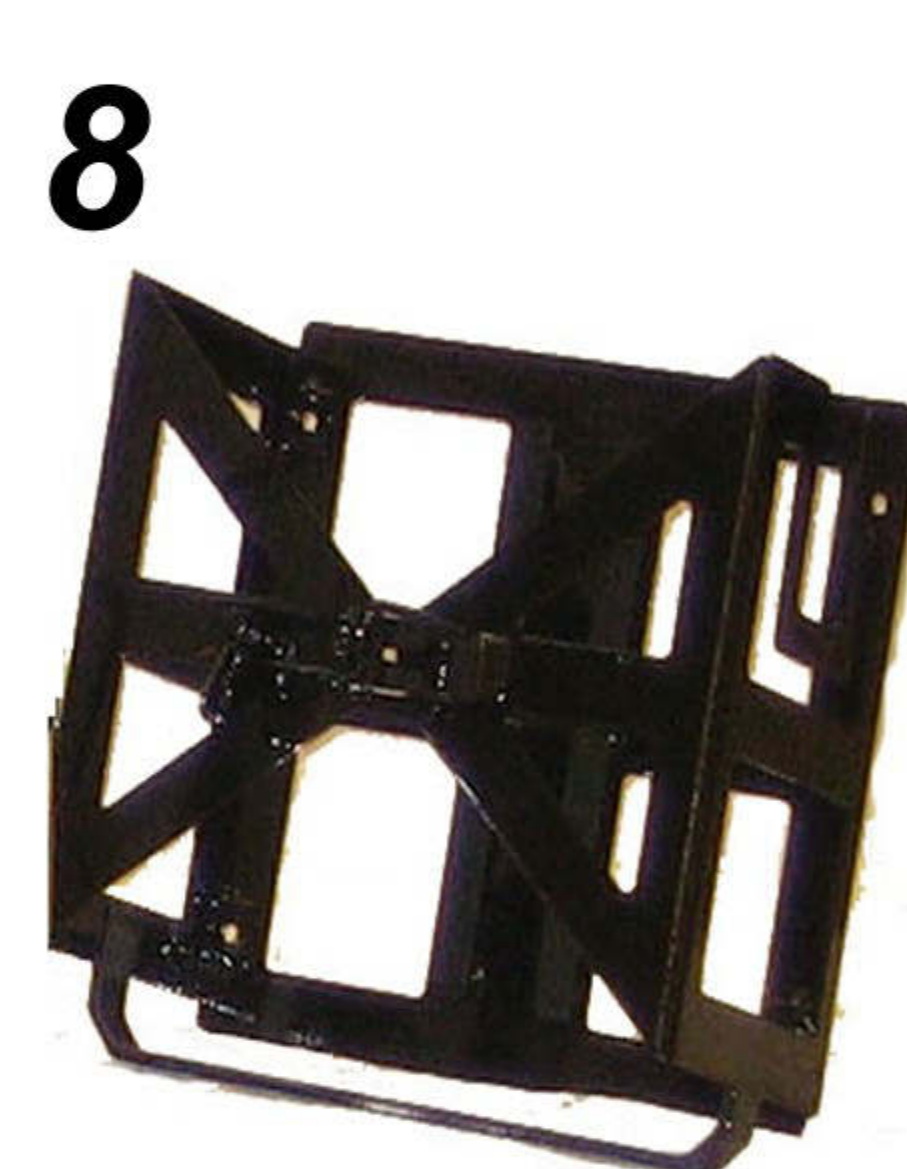
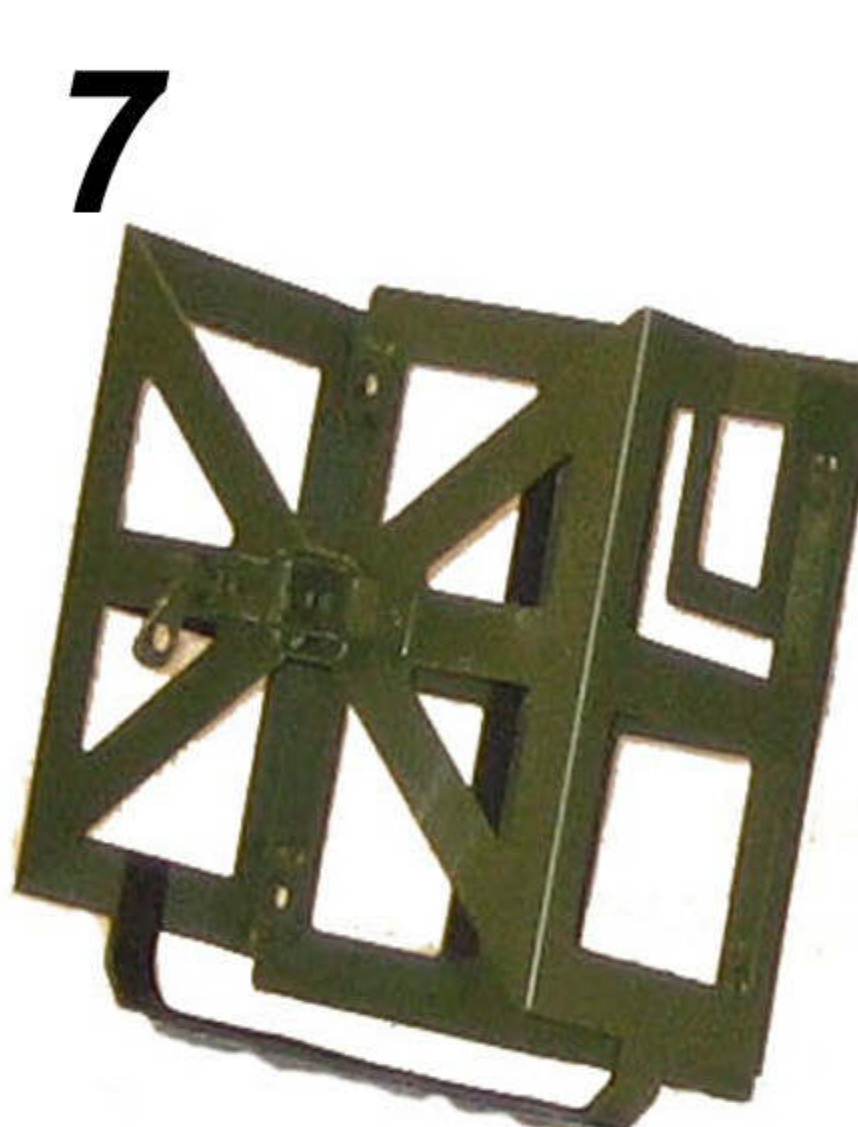


**Ranger, Tourist, Sportsman = IDE40 + IDE47**





# Fig. Z03.03 Luggage systems



**17**

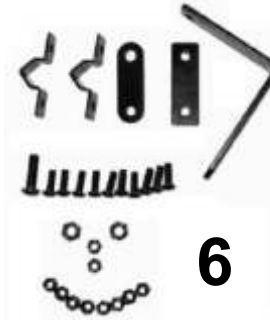
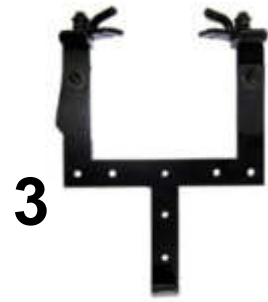


# Fig. Z03.04 Luggage systems





# Z03.05 Luggage systems / Gepäcksysteme





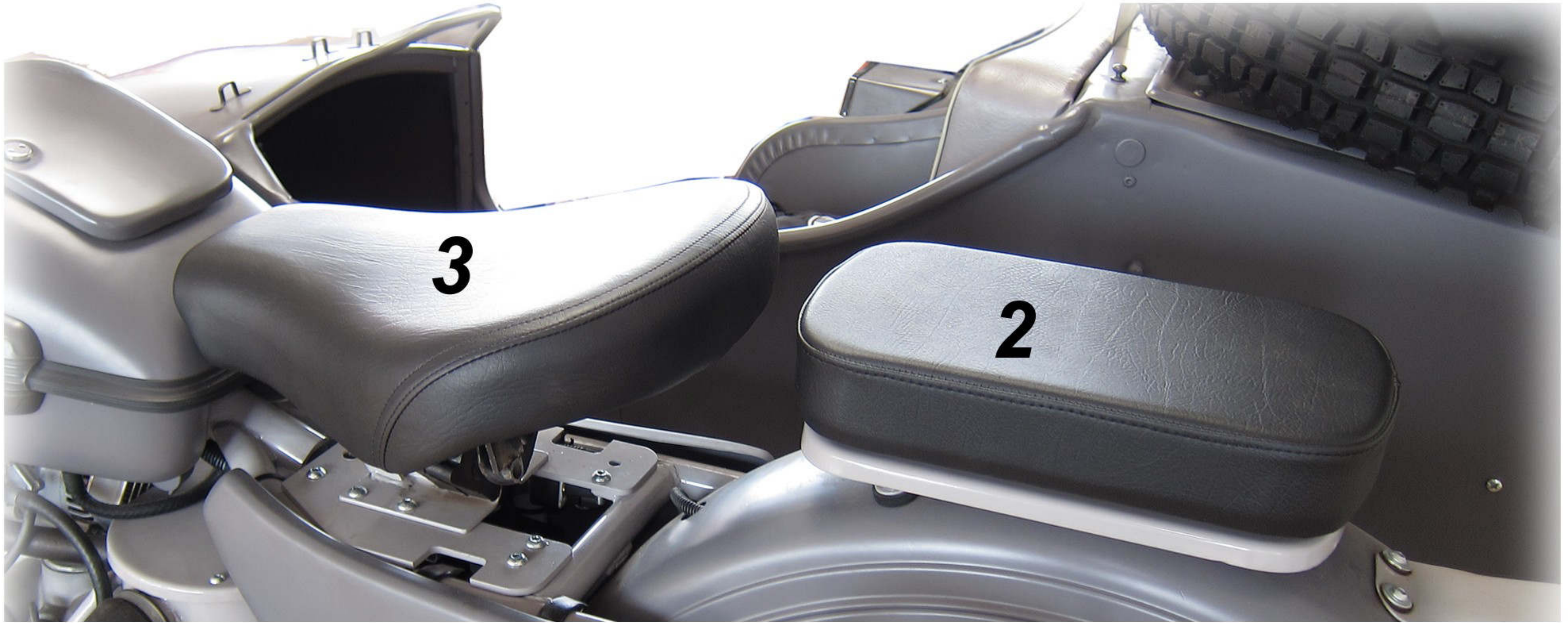
# Fig. Z04.01 Seats



1



4



5



6



5

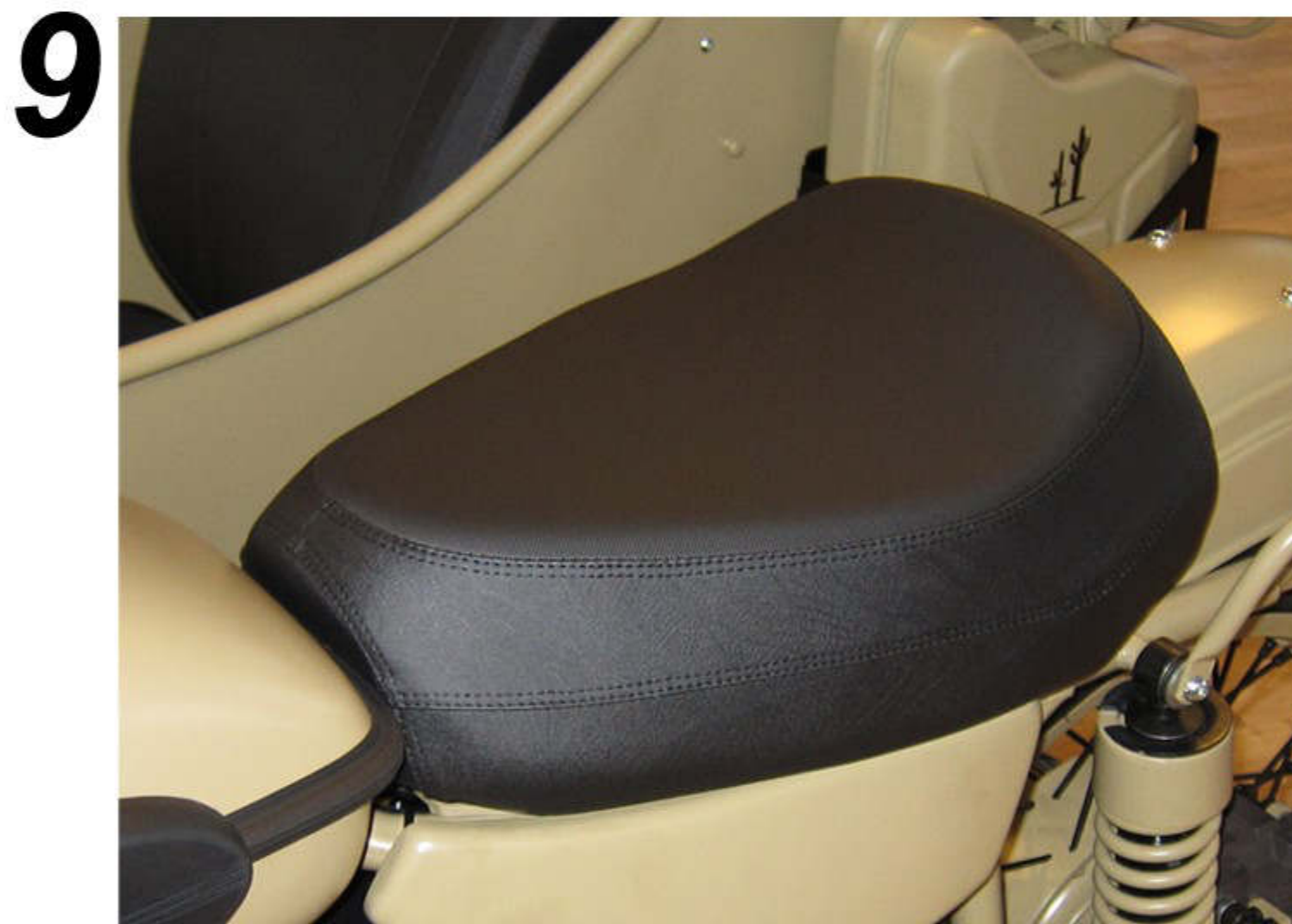


7





# Fig. Z04.02 Seats



**8**



**12**



**13 = 10+11+12**



**Fig. Z04.03 Seats / Sitze**





**Fig. Z05.01 Comfort / Komfort**





**Fig. Z05.02 Comfort / Komfort**





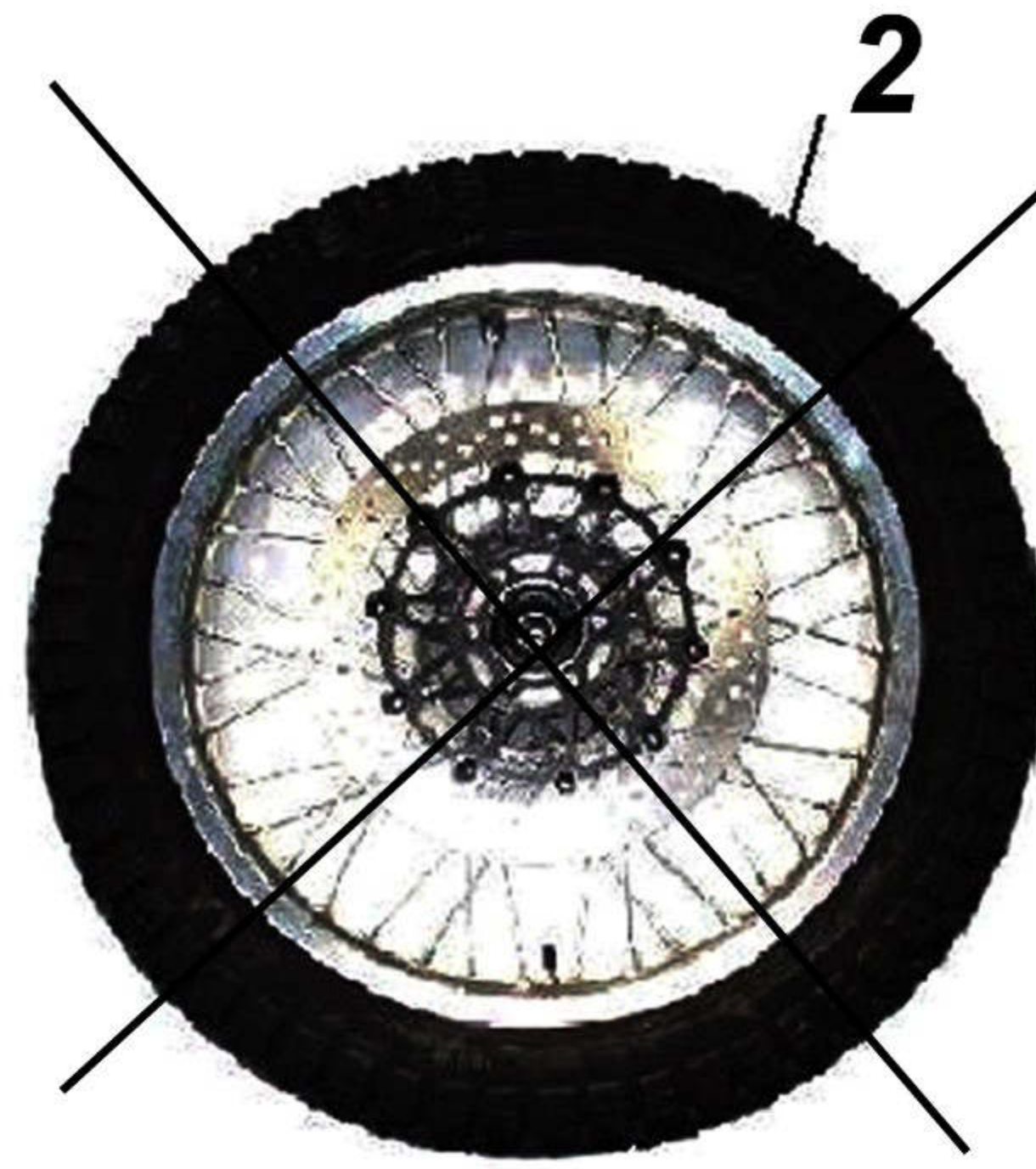
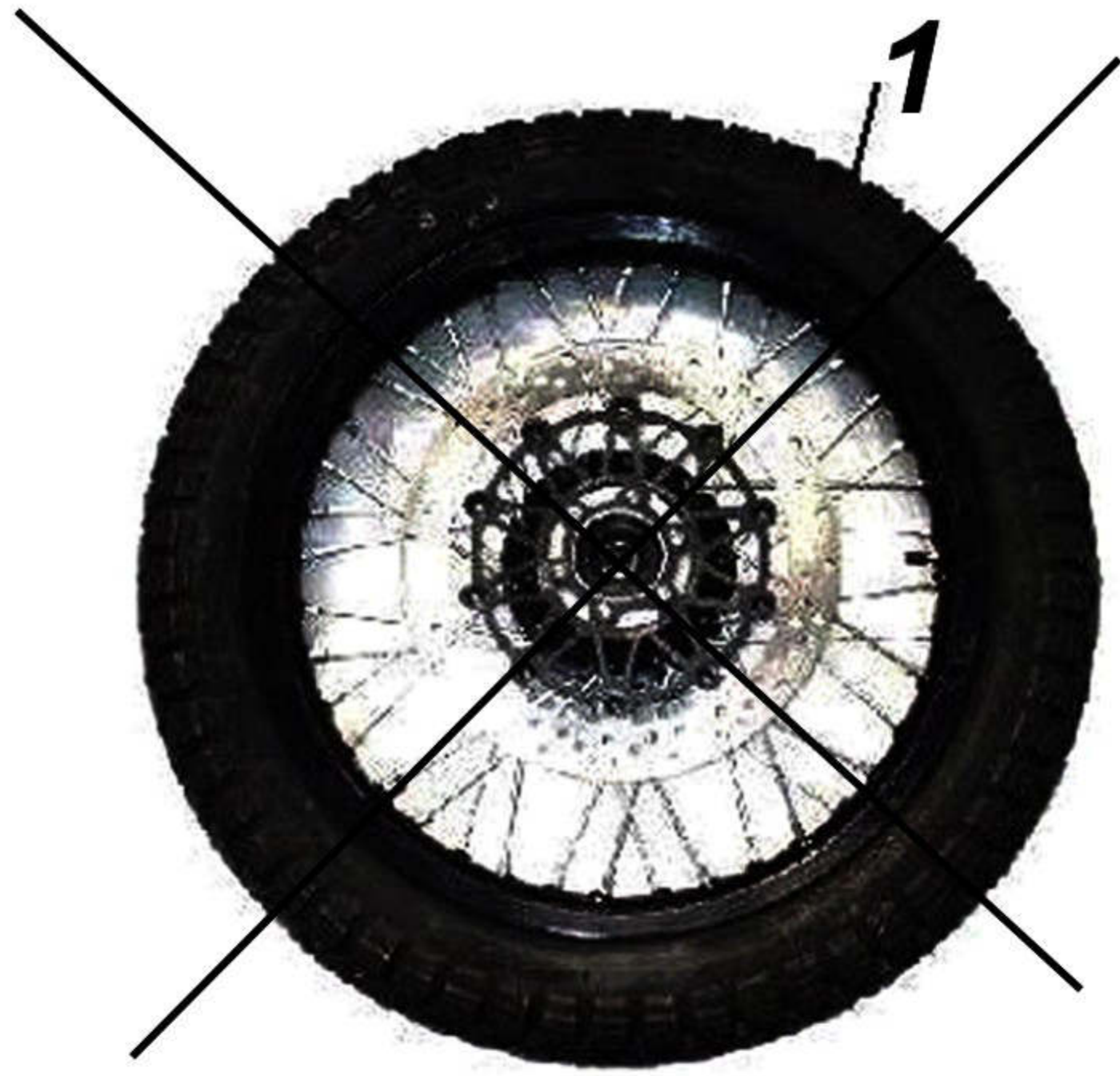
**Fig. Z05.03 Comfort / Komfort**

**1**

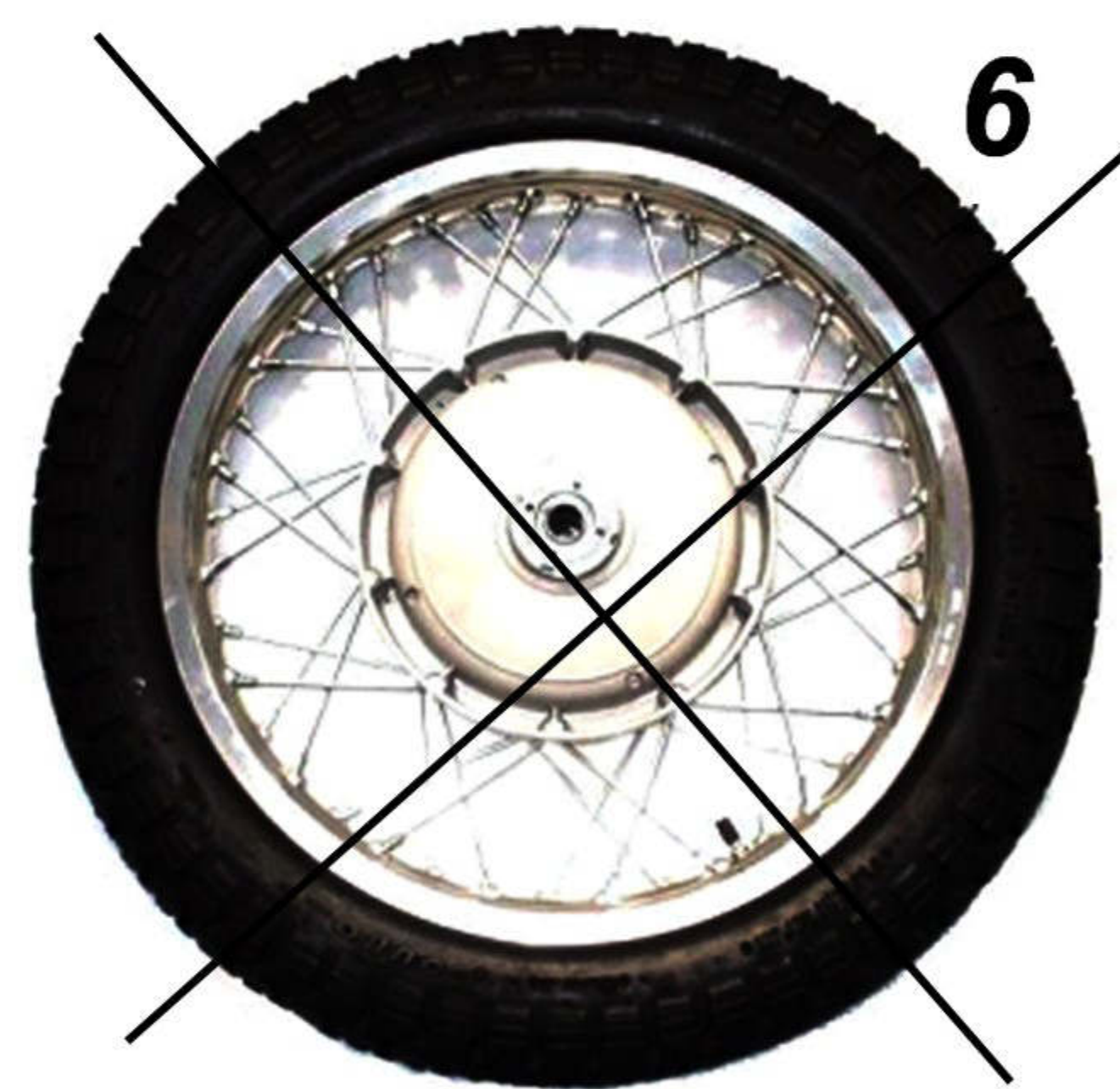
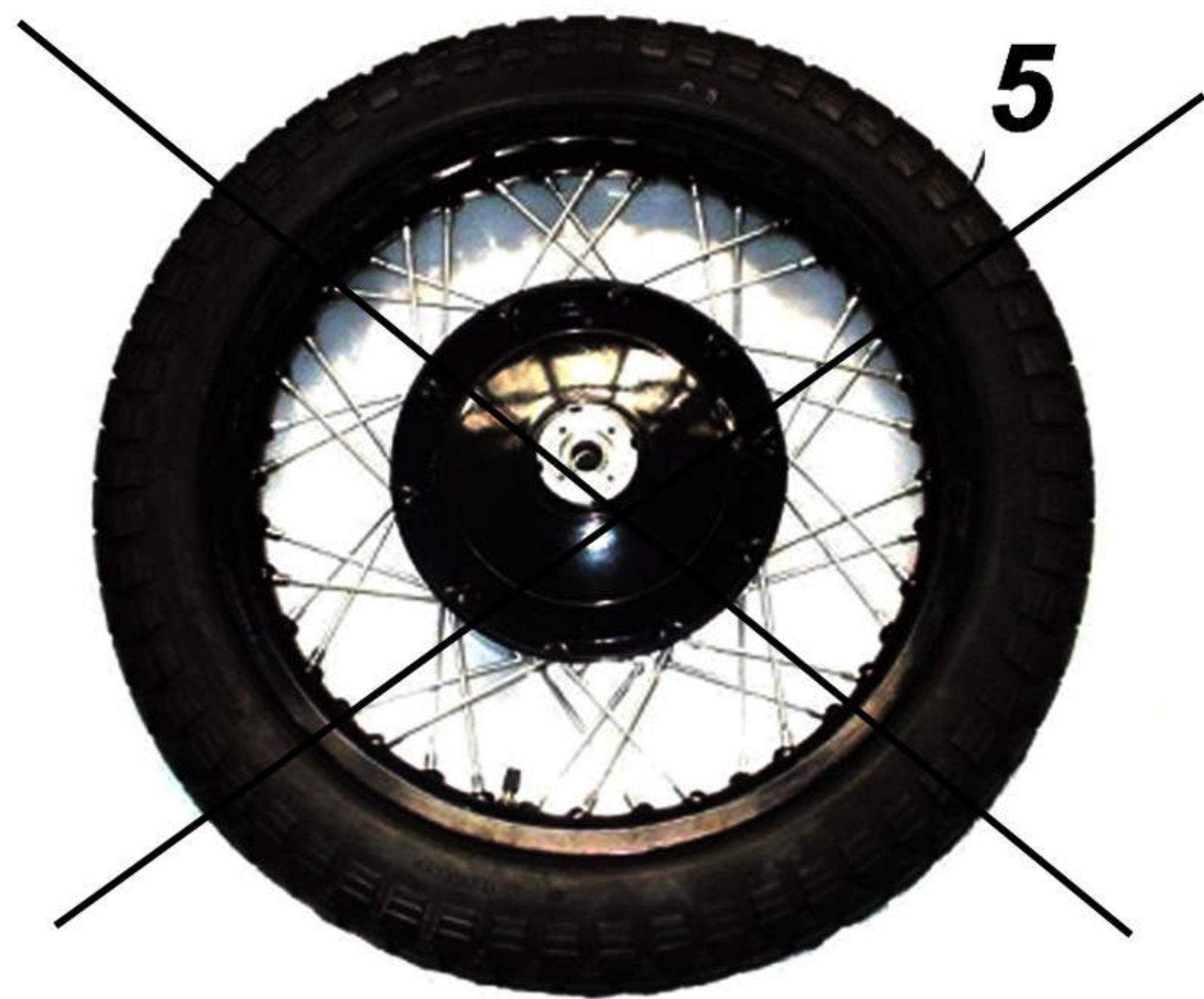




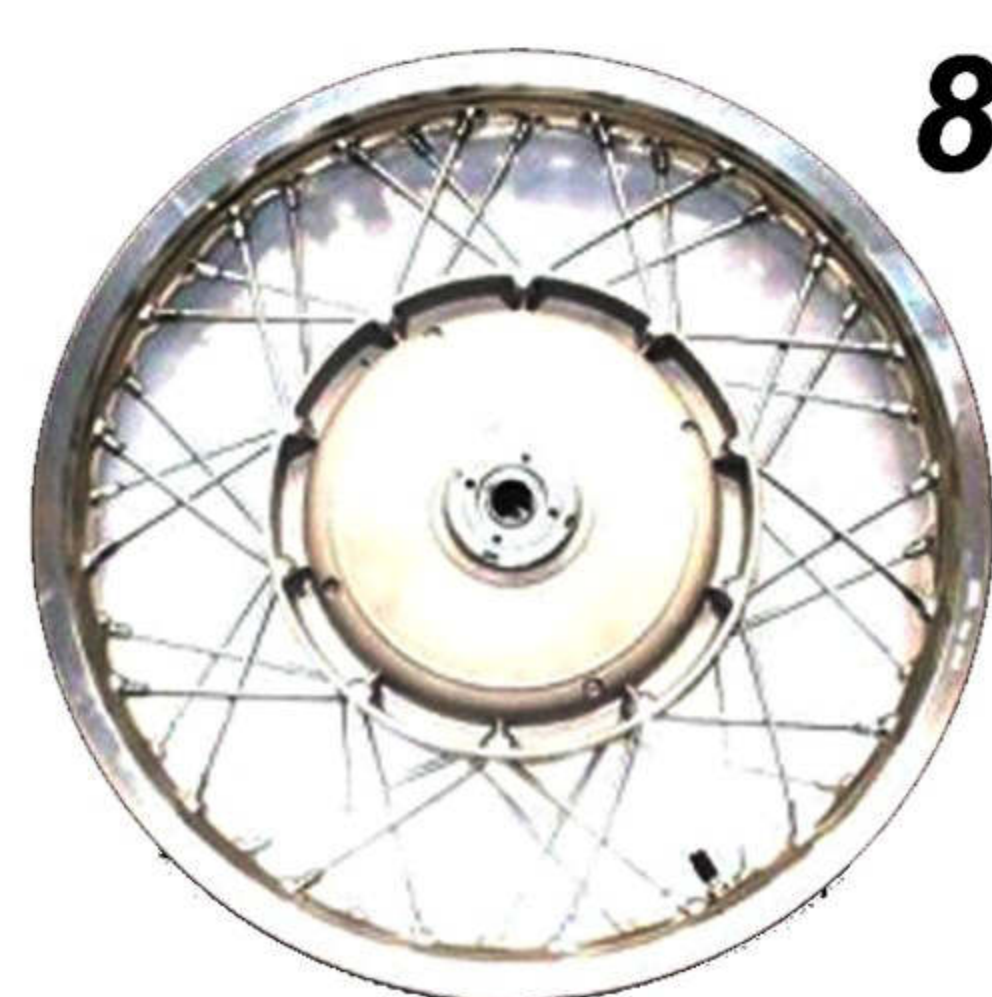
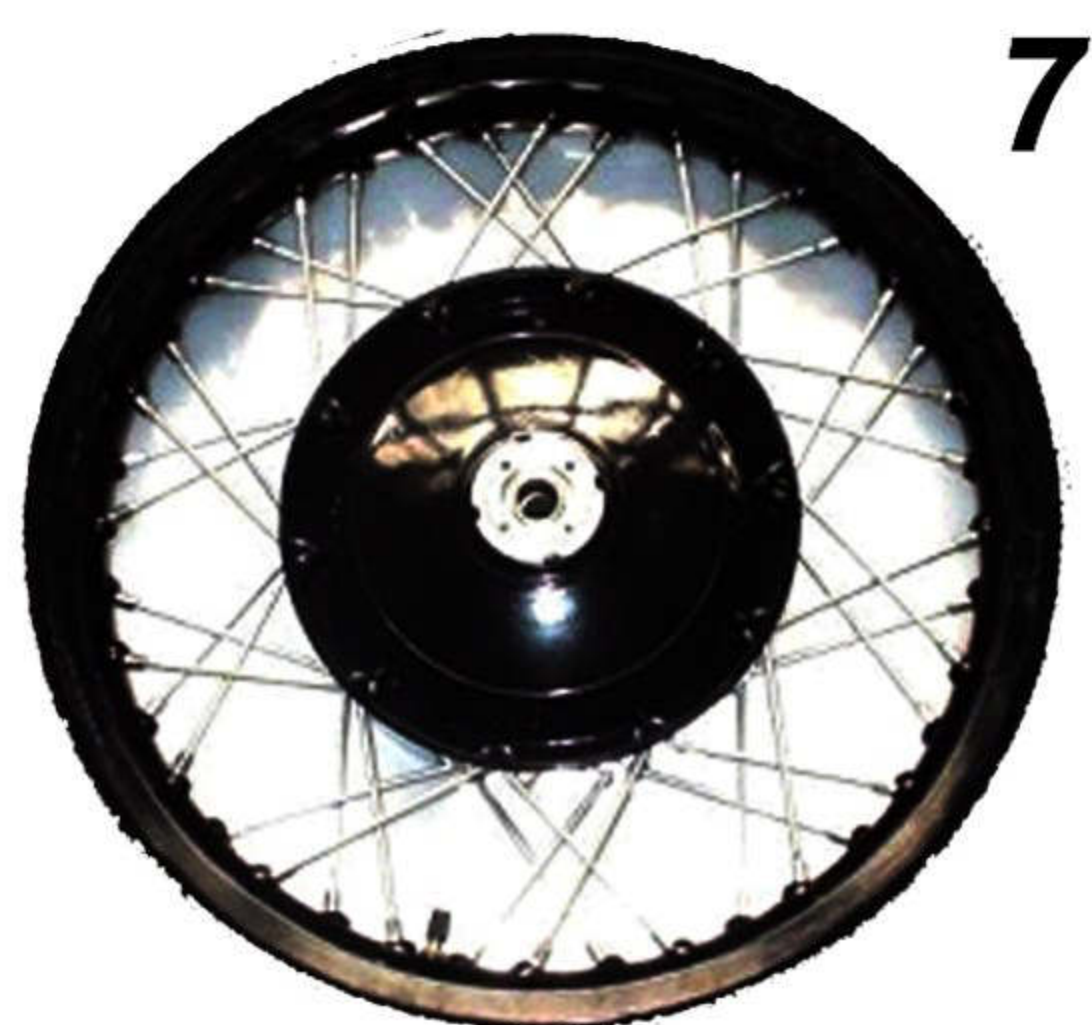
**Fig. Z06.01 Complete wheels**



**Disc  
brake**



**Drum  
brake**





# Fig. Z06.02 Wheels, Rims, Tyres



**Enduro K37 19"**  
**Enduro K37 19" M+S**  
**Enduro K37 19" M+S / Spike**



**Enduro K67 18"**  
**Enduro K67 18" / Spike**



**Road Avon 18"**



**Road Avon 19"**



**Road Uralshina 19"**



**Road K34 19"**



**Road K36 18"**



**Road K28 18"**



# Fig. Z06.03 Wheels, Rims, Tyres



*Tube 18" / Tube 19"*



*Rim band 18/19"  
Felgenband 18/19"*



**9**





# Fig. Z07.01 Windshields



1



2



3





**Fig. Z07.02 Windscreens / Windschilder**

**1**



**6**



**2**



**3**



**4**



**5**



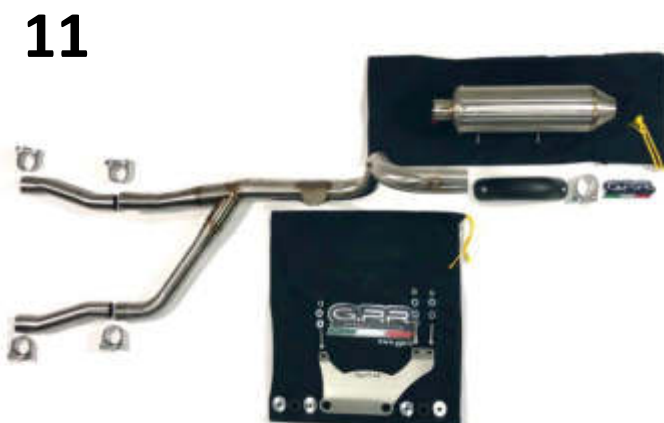
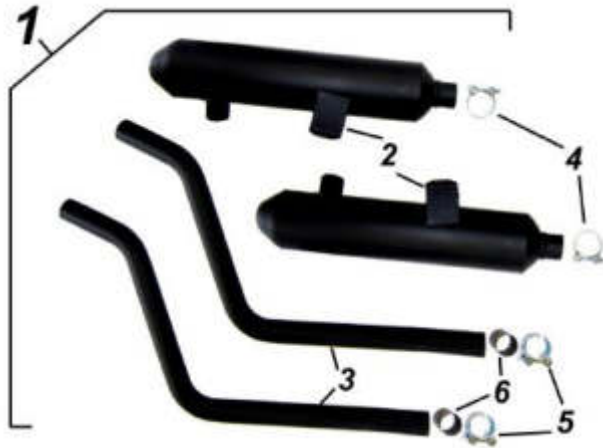


Fig. Z08.01 Exhaust systems / Auspuffanlagen





Fig. Z08.02 Exhaust systems / Auspuffanlagen

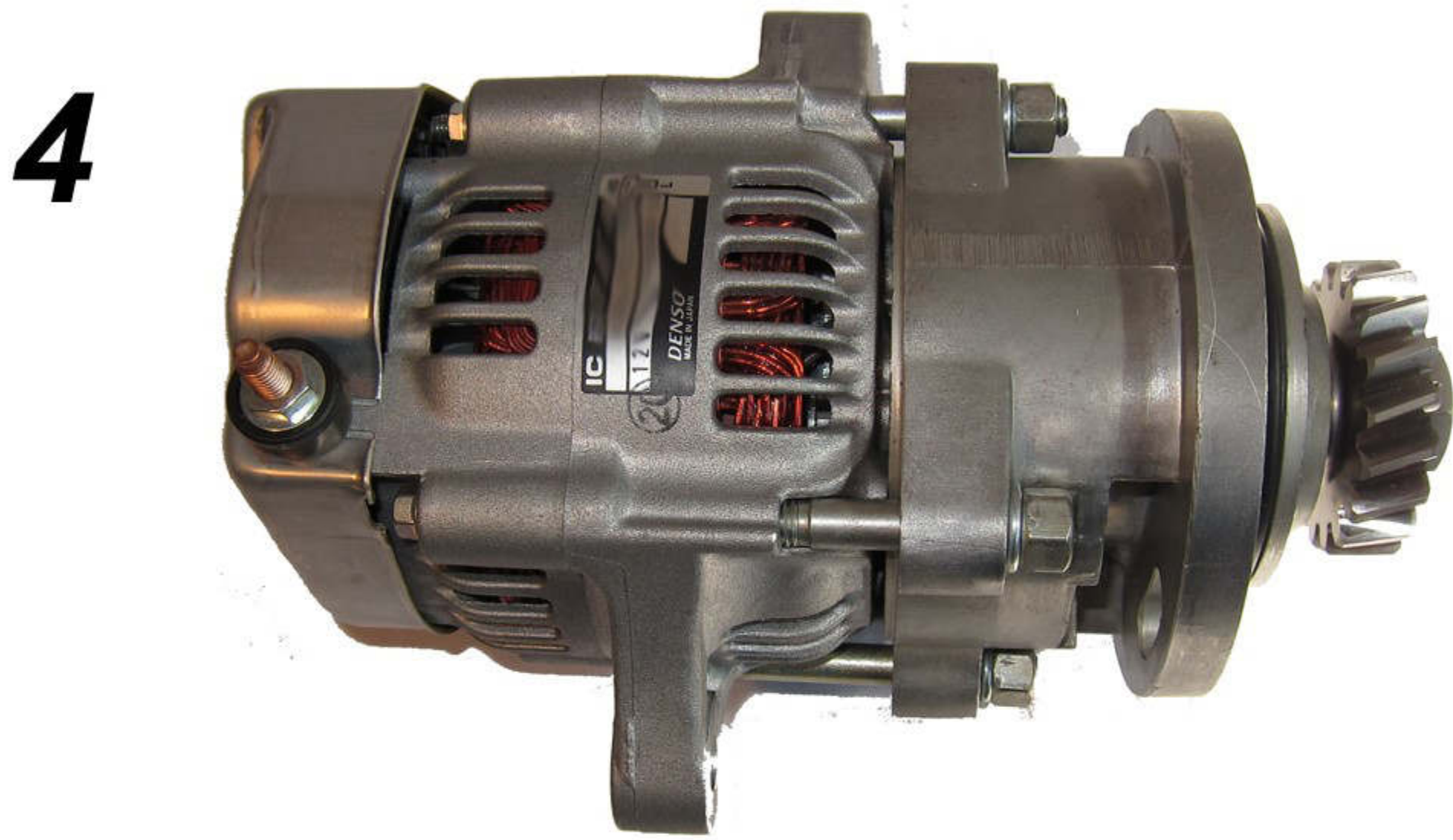




# Fig. Z09.01 Tuningparts, upgrade



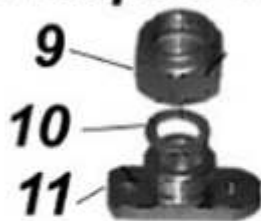
## Ducati ignition







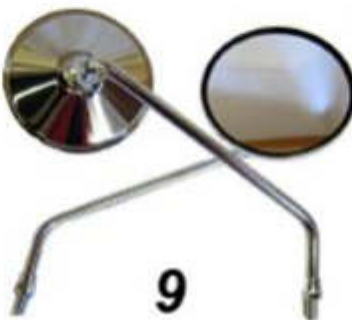
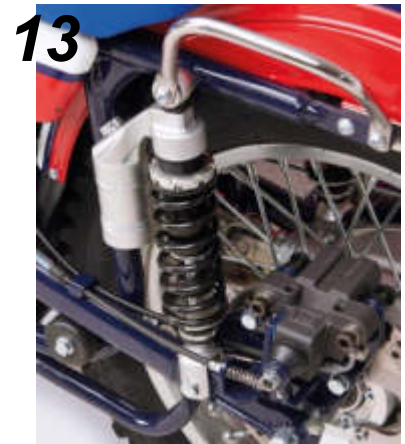
Adapter KP33





# Z09.03 Tuning parts and Upgrades /

## Tuning Teile und Upgrades









# Z09.05 Tuning parts and Upgrades /

## Tuning Teile und Upgrades

---



1



2





# Fig. Z10.01 Lights



1



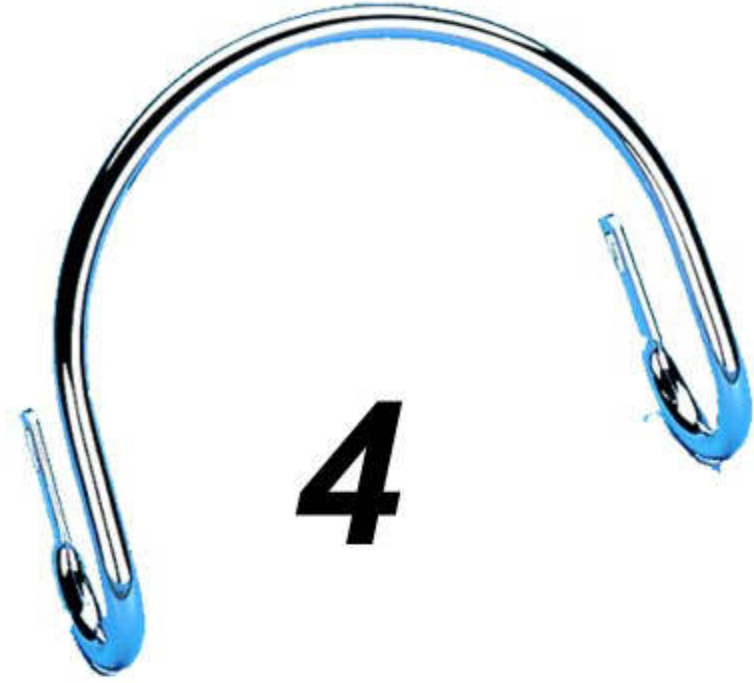
2



9



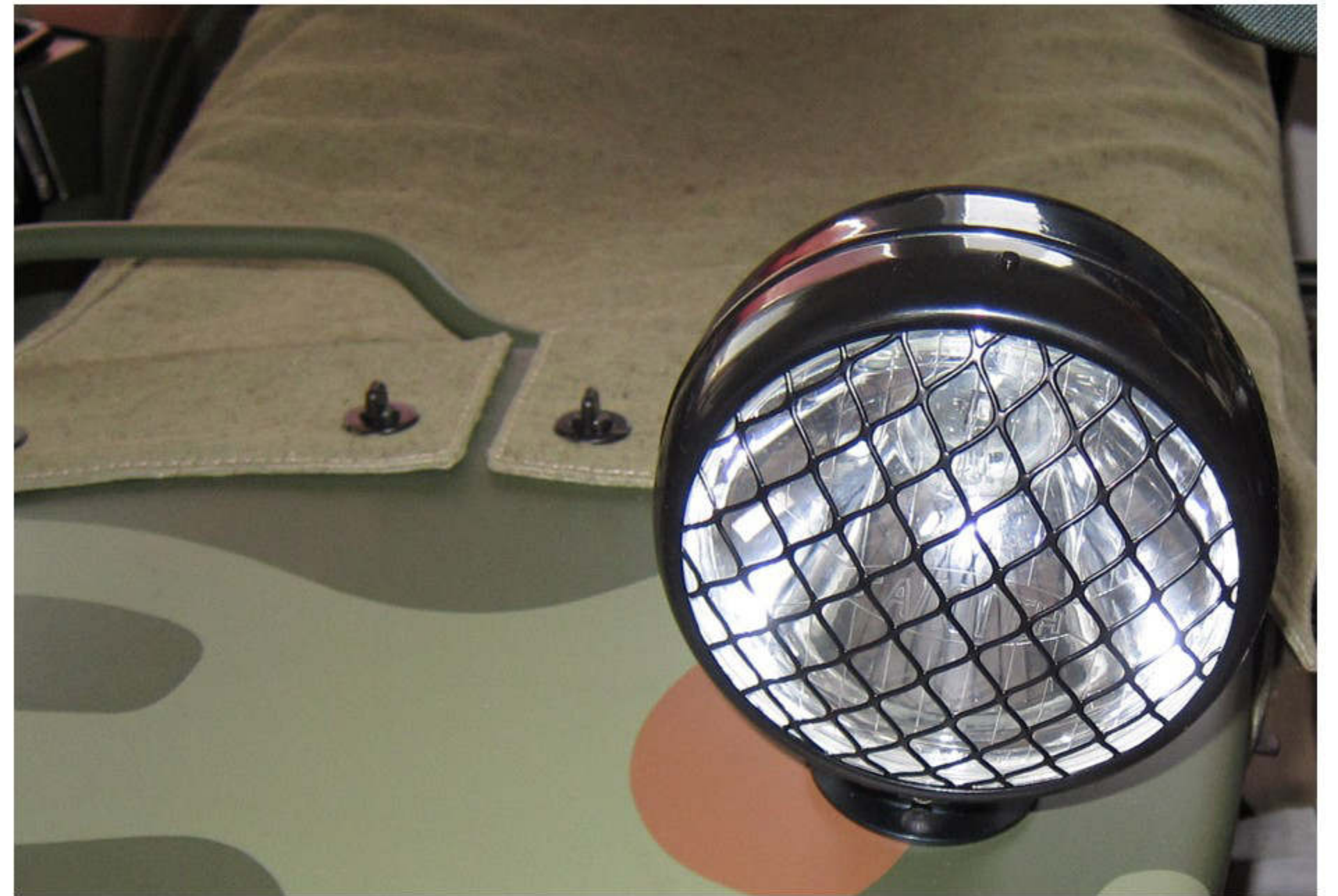
4



3



10



5



6



7

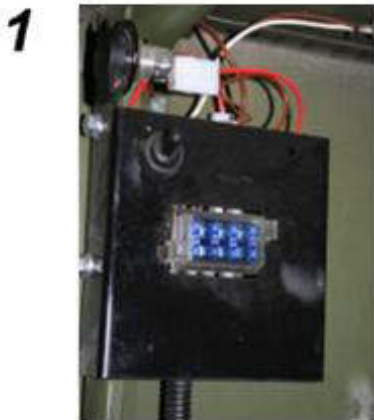


8



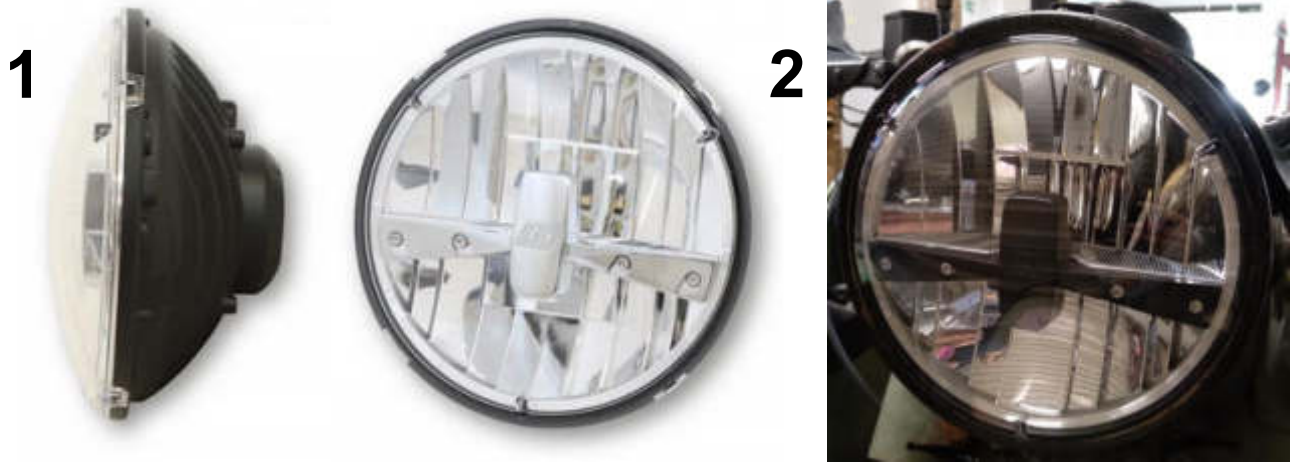


**Fig. Z10.02 Lighting / Beleuchtung**





**Fig. Z10.03 Lighting / Beleuchtung**





# Fig. Z11.01 Vehicle protection and care / Fahrzeugschutz und Pflege



1



2



3



4

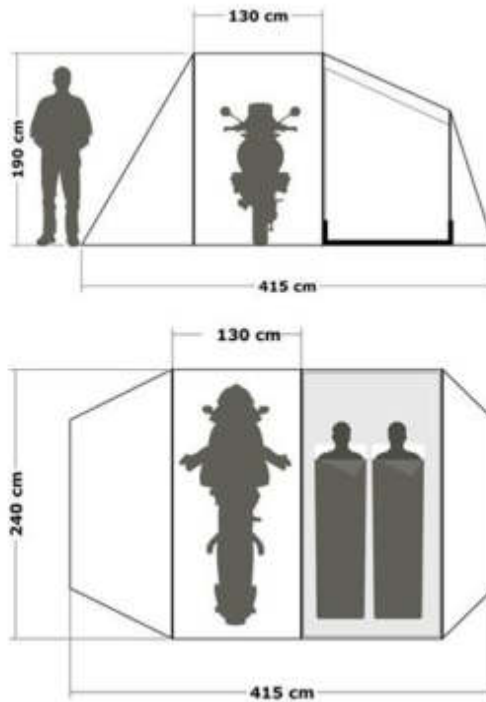


5





# Fig. Z11.02 Vehicle protection and care / Fahrzeugschutz und Pflege





# Fig. Z12.01 Apparel





# Fig. Z12.02 Apparel





# Fig. Z12.03 Apparel



1



2



3





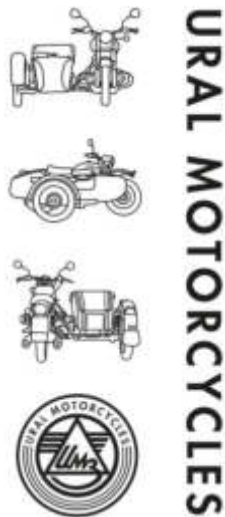
# Z12.04 Apparel / Bekleidung



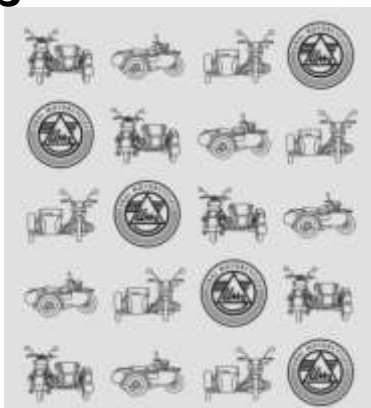
1



2



3



Turn Inside Out    Grab Straps    Pull Through    Place    Hook Over    Hook Over    Wrap Around    Tie To    Tie To    Face Mask  
 Turn Inside Out    Twist    Pull Down    Stretch    Also Band    Stretch    Hair Cover    Hood    Hood    AND MORE!  
 MATERIAL: 100% RPET    ♻️ ▲ 📦 📧    MADE IN CHINA    MOB PO BOX 644, 6710 BP (NL)    114 103



## Z12.05 Apparel / Bekleidung



1



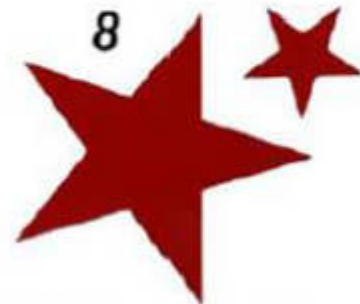


# Z13.01 Accessories, Memorabilia / Zubehör, Fanartikel





# Z13.02 Accessories, Memorabilia / Zubehör, Fanartikel





**Fig. Z13.03 Accessoires, Memorabilia / Zubehör, Fanartikel**



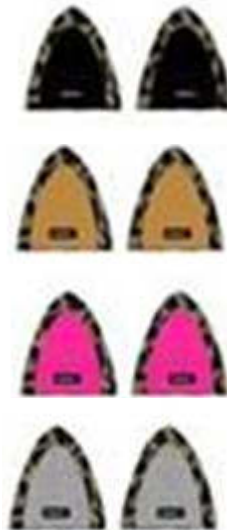
1



2



3



5



4





**Z13.04 Accessories, Memorabilia / Zubehör,  
Fanartikel**





# Fig. Z13.05 Accessoires, Memorabilia / Zubehör, Fanartikel



1

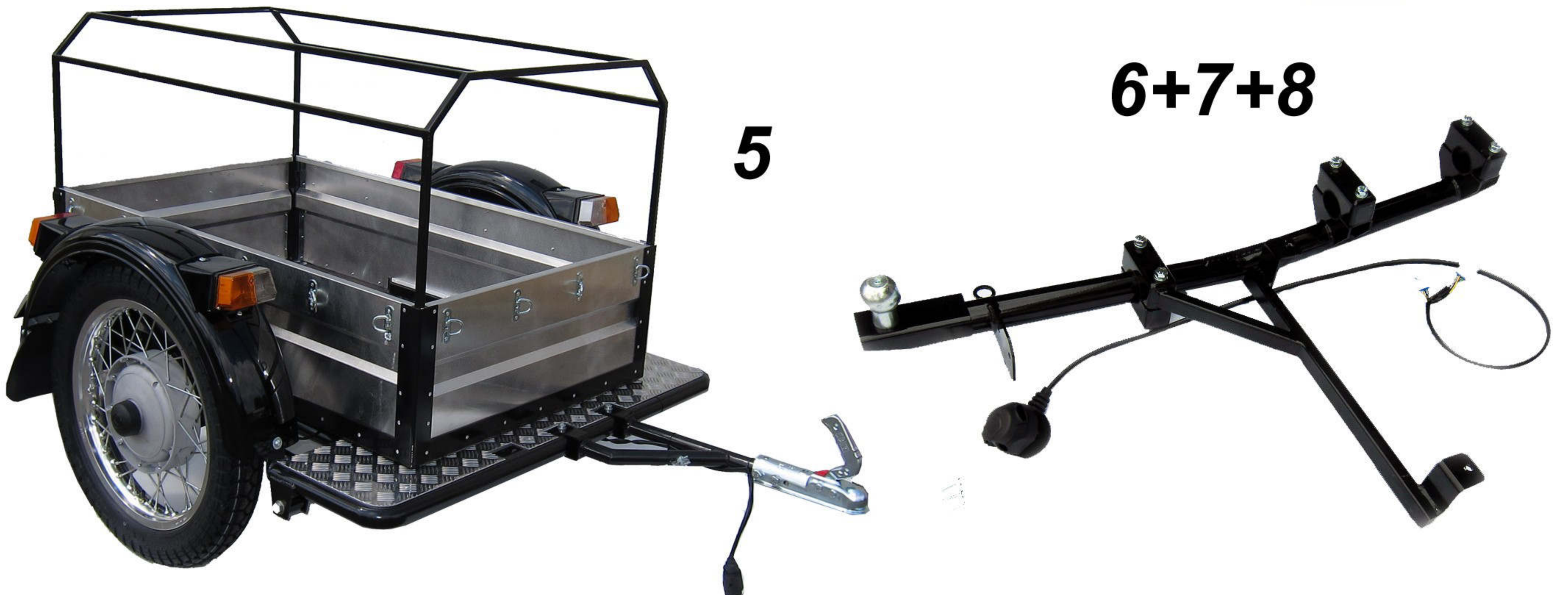
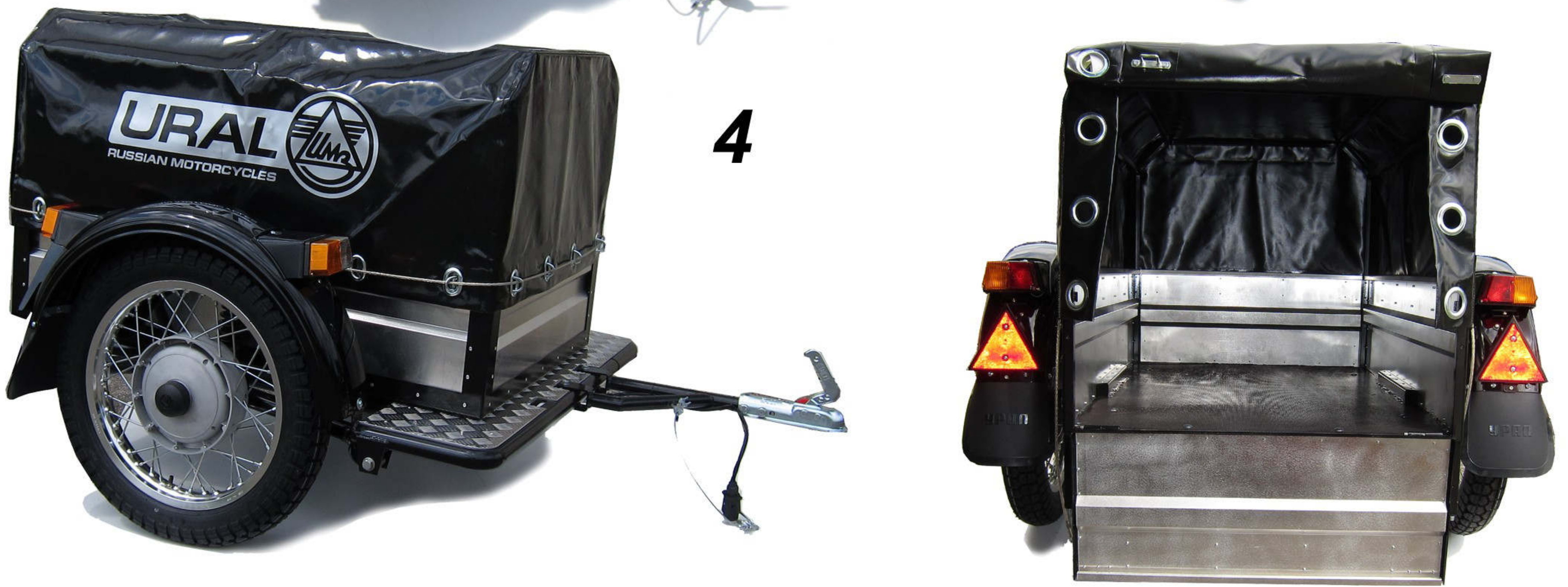
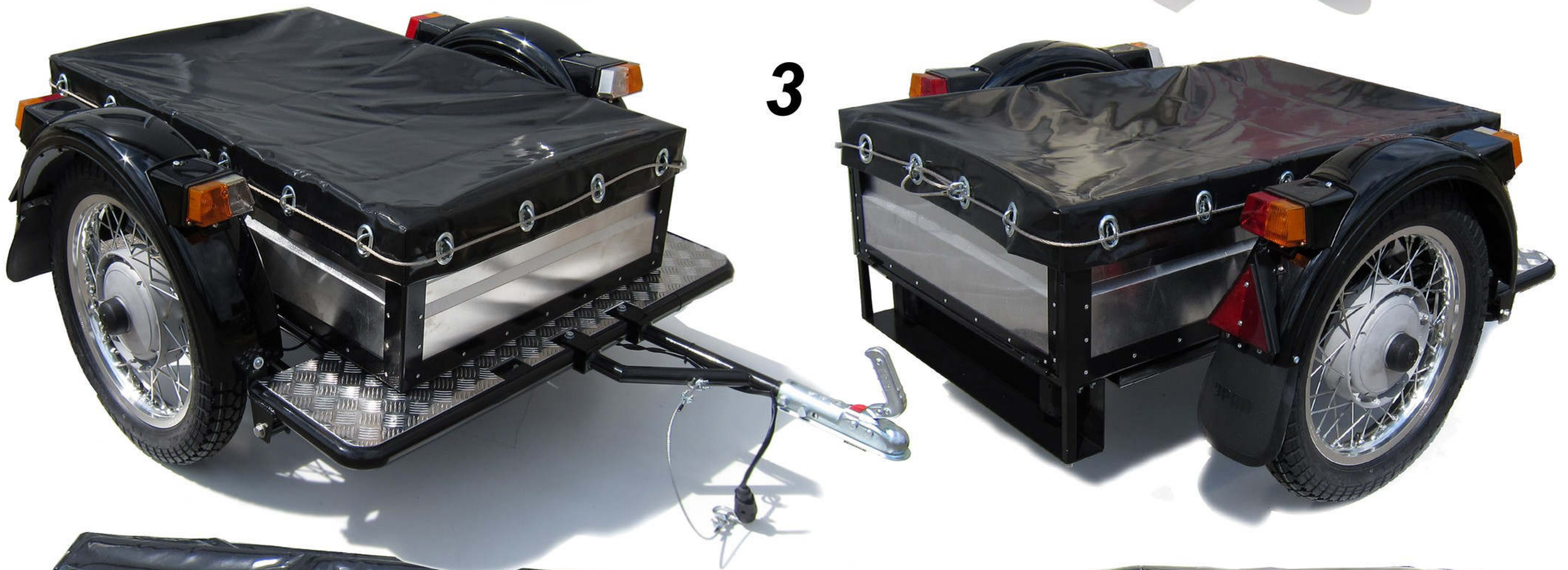
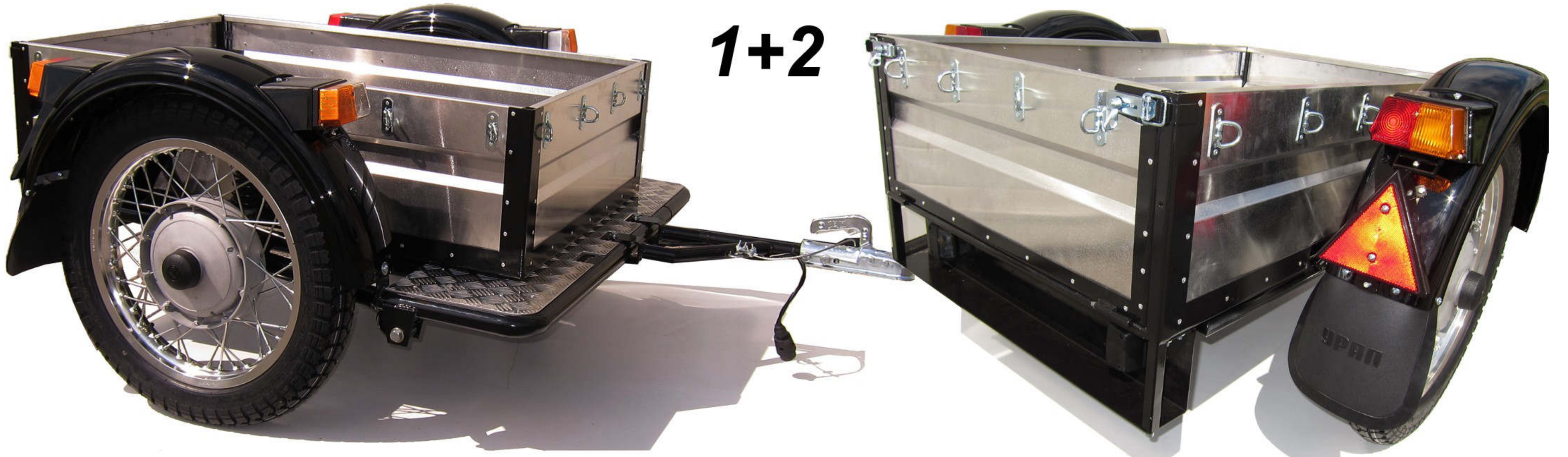


2





# Fig. Z14.01 Trailer





**Fig. Z15.01 Cross sidecar kit**

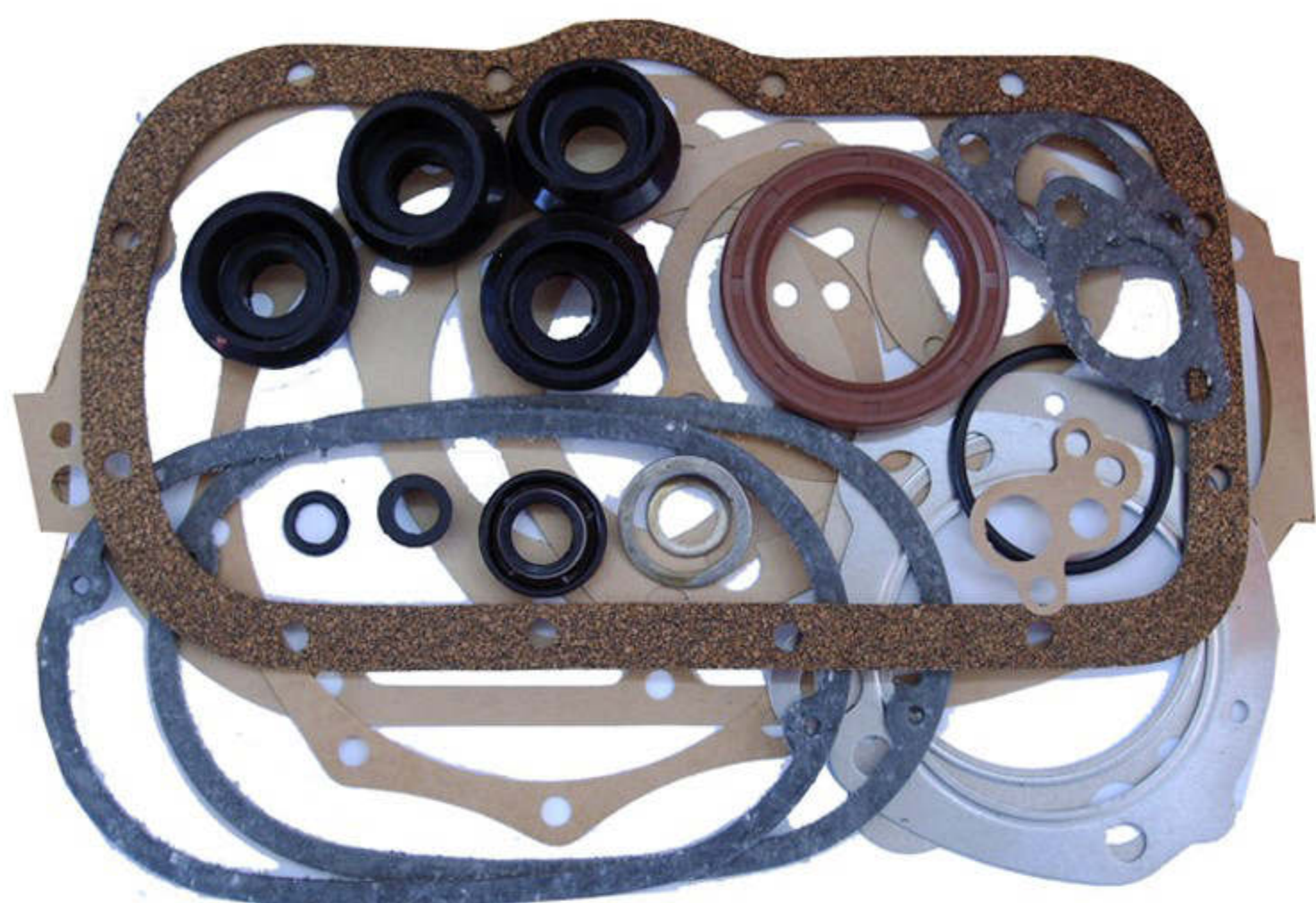




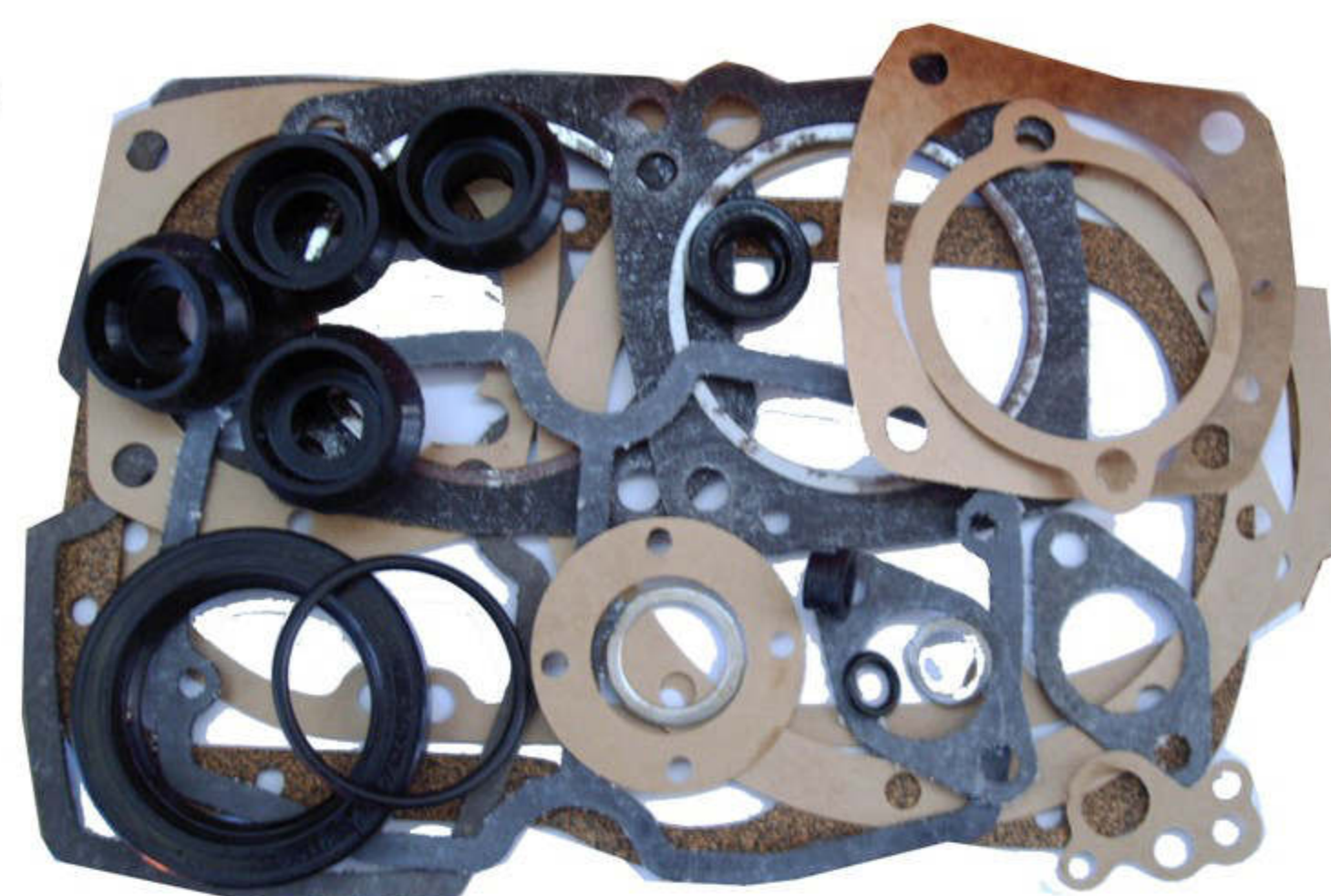
# Fig. Z16.01 Service parts



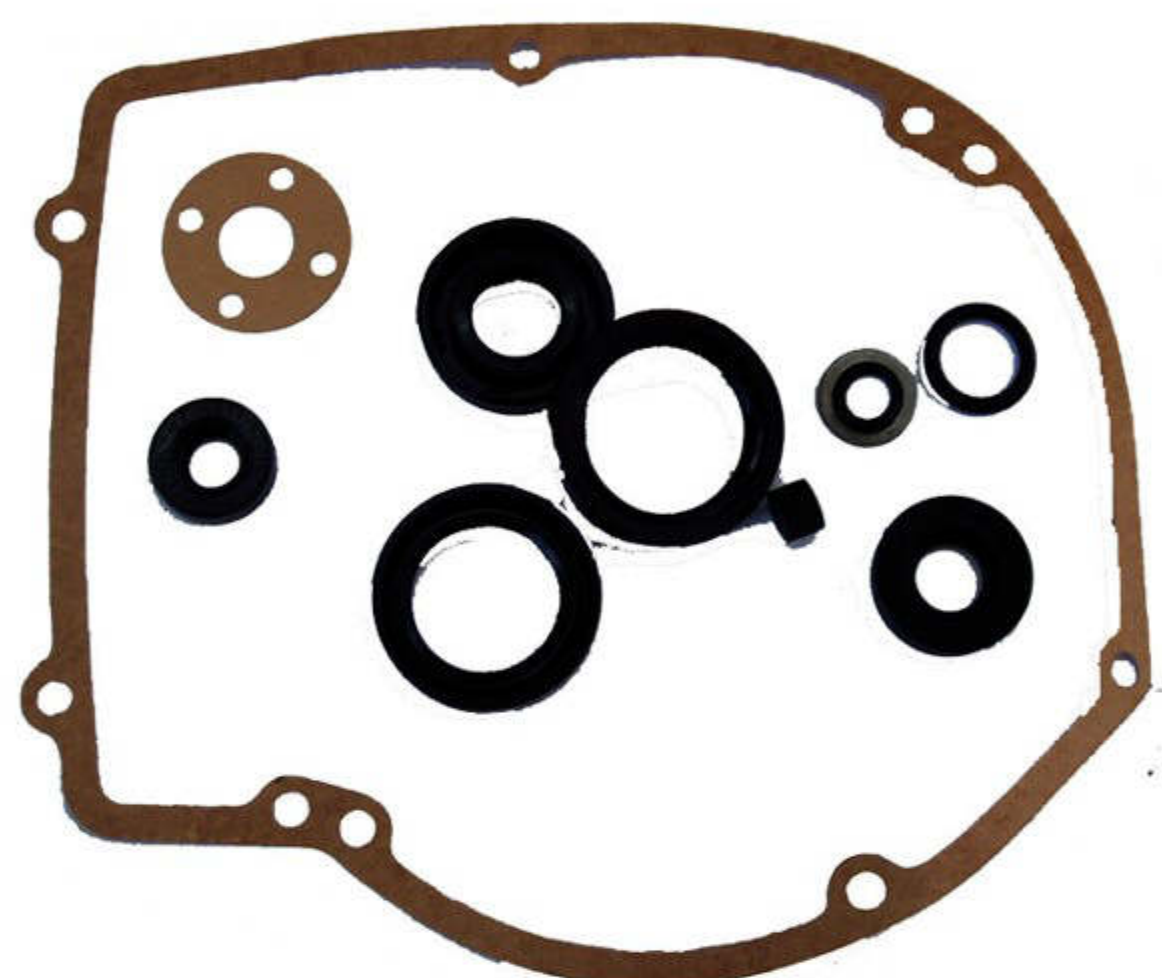
1



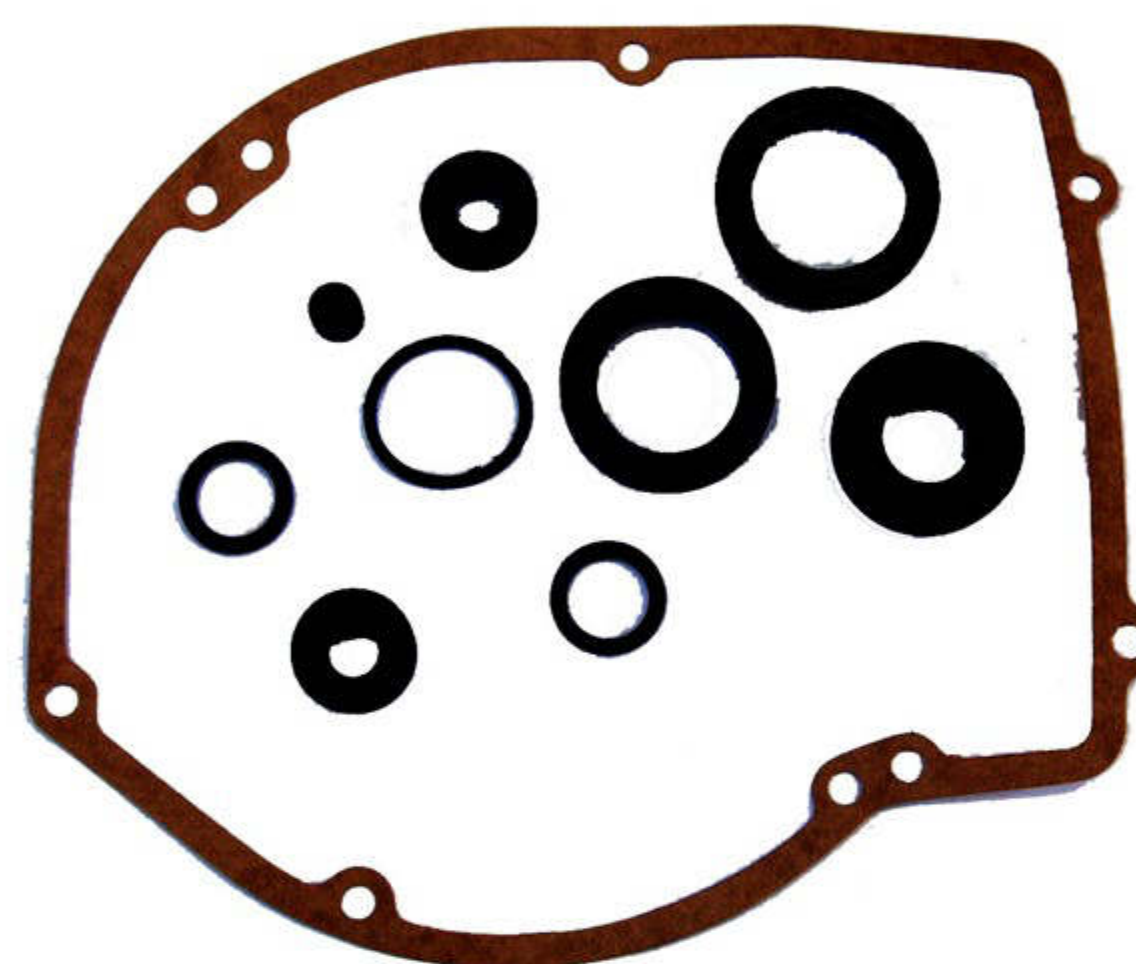
2



3



4



5



6





**Fig. Z17.01 Purchase facilities / Kaufhilfen**





# Fig. Z18.01 EFI diagnostic tools / EFI Diagnosetools



until/bis 2016



2017-2018



from/ab 2019

